



# ***Masonry***

# BAGGED PRODUCTS



## TYPE II CEMENT (ALSO CALLED PORTLAND, COMMON, OR REGULAR CEMENT)

SKU	DESCRIPTION	QUANTITY	PALLET DEPOSIT
090375	TYPE I-II CEMENT - 94 LBS.	35/PALLET	\$5.00
090381	TYPE I-II CEMENT - 47 LBS.	70/PALLET	\$10.00

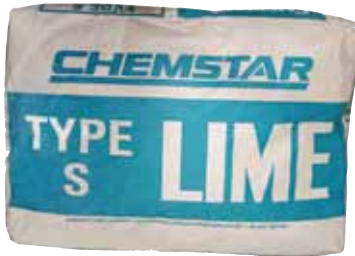
- **PORTLAND CEMENT IS THE BINDER THAT MIXES WITH SAND TO CREATE A MORTAR MIX**
- **TYPICALLY AN ADDITIVE SUCH AS LIME OR CLAY WILL ALSO BE MIXED IN TO HELP WITH THE WORKABILITY OF THE MORTAR**
- **CONFORMS TO ASTM C-150**
- **MEETS TYPE V REQUIREMENTS FOR LOW ALKALI**
- **USUALLY MIXED IN A RATIO SIMILAR TO: 1 PART CEMENT, 3 - 4 PARTS SAND**



## PLASTIC CEMENT

SKU	DESCRIPTION	QUANTITY	PALLET DEPOSIT
090384	PLASTIC CEMENT - 94 LBS.	35/PALLET	\$5.00

- **PLASTIC CEMENT IS THE BINDER THAT MIXES WITH SAND TO CREATE A MORTAR MIX**
- **THIS CEMENT IS USED TO REPLACE TYPE II CEMENT IN A MASONRY OR STUCCO APPLICATION**
- **PLASTIC CEMENT HAS "PLASTICITY" OR "WORKABILITY"**
- **PLASTIC CEMENT IN A MORTAR MIX WILL WORK WITHOUT ADDING LIME OR CLAY FOR WORKABILITY**
- **MEETS ASTM C-91 SPECIFICATION FOR TYPE "M" OR "S" MASONRY CEMENT**
- **MEETS U.B.C. STANDARD 47-1 FOR USE IN PLASTERING**
- **USUALLY MIXED IN A RATIO SIMILAR TO: 1 PART CEMENT, 3 - 4 PARTS SAND**



## TYPE S LIME

SKU	DESCRIPTION	QUANTITY	PALLET DEPOSIT
120387	CHEMSTAR TYPE S LIME - 50 LBS.	55/PALLET	\$13.50

- **ADDING LIME TO A PORTLAND CEMENT/SAND MORTAR MIX MAKES THE MIXTURE THICKER AND MORE STICKY WHEN WET**
- **LIME IS ALSO ADDED TO HELP WITH THE WORKABILITY, MAKING IT EASIER FOR THE MASON**
- **MEETS ASTM C-206 AND C-207**
- **MEETS U.B.C. STANDARD 21-13**
- **MEETS I.B.C. STANDARD 2000, 2103.7**
- **USUALLY MIXED IN A RATIO SIMILAR TO: 2 PARTS PORTLAND CEMENT, 1 PART LIME, 6 PARTS SAND**

**WARNING: LIME IS AN IRRITANT; WEAR RUBBER GLOVES AND EYE PROTECTION. AVOID EYE CONTACT OR PROLONGED CONTACT WITH SKIN. IF EYE CONTACT OCCURS, FLUSH WITH WATER FOR 15 MINUTES. CONSULT PHYSICIAN IMMEDIATELY. DO NOT TAKE INTERNALLY.**

# ADDITIVES

## MUDDOX MORTAR CLAY

SKU	DESCRIPTION	QUANTITY	PALLET DEPOSIT
130236	MORTAR CLAY - 50 LBS.	60 BAGS/PALLET	\$10.00

- **NATURAL PRODUCT CONTAINS NO ADDITIVES**
- **HIGHLY PLASTIC MORTAR CLAY**
- **CONSIDERED A KAOLINIC MORTAR CLAY**
- **USUALLY MIXED IN A RATIO SIMILAR TO: 2 PARTS PORTLAND CEMENT, 1 PART MORTAR CLAY, 6 PARTS SAND**

**PLEASE NOTE THAT MOST BUILDING CODES REQUIRE A COMMERCIAL PREMIXED REFACTORY MORTAR FOR FIREPLACE CONSTRUCTION. CHECK YOUR LOCAL BUILDING CODES.**



## SUPER SPEC

SKU	DESCRIPTION	QUANTITY	PALLET DEPOSIT
090410	SUPER SPEC TYPE S MORTAR - GRAY - 94 LBS.	35 BAGS/PALLET	\$10.00

- **PRE-BLENDED DRY MORTAR**
- **JUST ADD WATER!**
- **IDEAL FOR BLOCK, STONE, OR BRICK**
- **MEETS ASTM C-270**
- **LARR# 25481**
- **SUPER SPEC MORTAR 94 LB. BAG WILL LAY APPROX. 35 - 40 STANDARD BRICKS OR 15 - 20 STANDARD BLOCKS**



## ACRYLIC ADDITIVE

SKU	DESCRIPTION	USES	SIZE	CASE QUANTITY	PALLET QUANTITY	PALLET DEPOSIT
991032	PROCURE	ACRYLIC ADMIX	1 GAL.	4 GALS./CASE	48 CASES/PALLET	NONE
991036	PROCURE	ACRYLIC ADMIX	5 GAL.	-	36 PAILS/PALLET	NONE

- **USED AS A REPLACEMENT FOR WATER IN MORTAR MIXES**
- **IMPROVES ADHESION AND BOND STRENGTH TO SMOOTH SURFACES**
- **IMPROVES FREEZE/THAW RESISTANCE**
- **IMPROVES PLASTICITY (WORKABILITY) OF MORTAR**
- **INCREASES MORTAR INTERNAL BOND AND FLEXURAL STRENGTH**
- **CAN BE DILUTED WITH WATER IN A 1 TO 1 RATIO**
- **MEETS REQUIREMENTS FOR ANSI 118.4**



**ORDER NOW! 1-800-325-6851**

# AGGREGATE

## WASHED SAND



SKU	DESCRIPTION	SIZE	QUANTITY	PALLET DEPOSIT
090433	WASHED SAND	3/4 CU. FT. BAG	40 BAGS/PALLET	\$10.00

- **USUALLY BLENDED WITH CEMENT TO MAKE A MORTAR MIX**
- **WASHED SAND COMES FROM RIVER BEDS AND SCREENED TO REMOVE LARGE DEBRIS**
- **WASHED SAND WILL HAVE A MIX OF COARSE AND FINE GRAINS IN IT**
- **WASHED SAND WILL BE DAMP, IT IS NOT A DRY PRODUCT**
- **MEETS ASTM C-144**

**SILICA IS SEPARATED AND GRADED INTO DIFFERENT SIZES. CALIFORNIA SILICA IS SIZED OVER SCREENS WITH HOLES IN THEM. A #16 SCREEN HAS 16 HOLES PER INCH, WHEREAS A #30 SCREEN HAS 30 HOLES PER INCH, SO A #30 SAND IS MUCH SMALLER THAN A #16 SAND.**



## SILICA SAND

SKU	DESCRIPTION	QUANTITY	PALLET DEPOSIT
090448	CAL SILICA #16 SILICA SAND - 100 LBS.	30 BAGS/PALLET	\$10.00
090451	CAL SILICA #20 SILICA SAND - 100 LBS.	30 BAGS/PALLET	\$10.00
090454	CAL SILICA #30 SILICA SAND - 100 LBS.	30 BAGS/PALLET	\$10.00
090457	CAL SILICA #60 SILICA SAND - 100 LBS.	30 BAGS/PALLET	\$10.00
090458	CAL SILICA #90 SILICA SAND - 100 LBS.	30 BAGS/PALLET	\$10.00



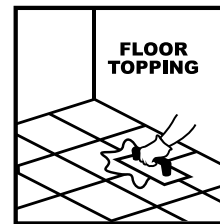
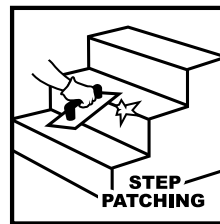
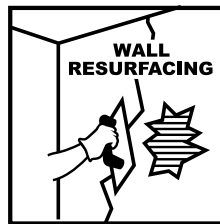
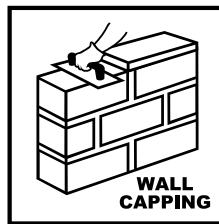
- **CLEAN AND SCREENED**
- **GRADED TO SIZE**
- **KILN DRIED**
- **#16, #20, AND #30 CAN BE USED IN SANDBLASTING - ARB#: G-05-065**
- **CAN BE MIXED WITH CEMENT FOR A VERY CLEAN MORTAR MIX**

# ACCESSORIES

## CONCRETE GLUE

SKU	DESCRIPTION	CASE QUANTITY	PALLET QUANTITY	PALLET DEPOSIT
100466	CONCRETE GLUE - 1 QT.	12 BOTTLES/CASE	—	NONE
100469	CONCRETE GLUE - 1 GAL.	4 BOTTLES/CASE	48 CASES/PALLET	\$10.00
100475	CONCRETE GLUE - 5 GAL.	—	36 PAILS/PALLET	\$10.00

- **BONDS NEW CONCRETE TO OLD**
- **CAN BE USED ON CONCRETE, CINDER BLOCK, STONE, TILE, AND SHEET ROCK**
- **CONCRETE GLUE CAN ALSO BE USED AS AN ADMIX TO CEMENT IMPROVING STRENGTH, FLEXIBILITY AND WATER RESISTANCE**



## MURIATIC ACID

SKU	DESCRIPTION	CASE QUANTITY	PALLET QUANTITY	PALLET DEPOSIT
100532	MURIATIC ACID - 1 GAL.	4 BOTTLES/CASE	24 CASES/PALLET	NONE

- **IDEAL FOR CLEANING BRICK AND MASONRY**
- **REMOVES EFFLORESCENCE FROM GROUT AND MORTAR**
- **CONCRETE ETCHING**

**WARNING:** MURIATIC ACID IS AN IRRITANT; WEAR RUBBER GLOVES AND EYE PROTECTION. AVOID EYE CONTACT OR PROLONGED CONTACT WITH SKIN. IF EYE CONTACT OCCURS, FLUSH WITH WATER FOR 15 MINUTES. CONSULT PHYSICIAN IMMEDIATELY. DO NOT TAKE INTERNALLY.



## GROUT EASY

SKU	DESCRIPTION	QUANTITY	PALLET DEPOSIT
100536	GROUT EASY- 1 GAL.	4 BOTTLES/CASE	NONE

- **REDUCES CLEAN-UP TIME**
- **PREVENTS CEMENT AND GROUT FROM STICKING TO THE FACE OF STONE, TILE, BRICKS, AND PAVERS**
- **PREVENTS DAMAGE FROM MURIATIC ACID CLEANING**
- **AVERAGE COVERAGE - POROUS SURFACE: 150 SQ. FT./GAL.  
NON-POROUS SURFACE: 500 SQ. FT./GAL.**



FOR MORE INFORMATION SEE [www.aldonchem.com/pr-grout-easy.htm](http://www.aldonchem.com/pr-grout-easy.htm)

**ORDER NOW! 1-800-325-6851**

# MORTAR COLOR

## MORTAR COLOR BOXES

SKU	DESCRIPTION	QUANTITY	PALLET DEPOSIT
200702	BRICK - 1 LB.	30/CASE	NONE
200704	BRICK - 5 LBS.	5/CASE	NONE
200706	BUFF - 1 LB.	30/CASE	NONE
200708	BUFF - 5 LBS.	5/CASE	NONE
200710	RED - 1 LB.	30/CASE	NONE
200712	RED - 5 LBS.	5/CASE	NONE
200714	YELLOW - 1 LB.	30/CASE	NONE
200716	YELLOW - 5 LBS.	5/CASE	NONE
200718	CANYON - 1 LB.	30/CASE	NONE
200720	CANYON - 5 LBS.	5/CASE	NONE
200722	GREEN - 1 LB.	30/CASE	NONE
200724	GREEN - 5 LBS.	5/CASE	NONE
200726	TAN - 1 LB.	30/CASE	NONE
200728	TAN - 5 LBS.	5/CASE	NONE
200730	ADOBE - 1 LB.	30/CASE	NONE
200732	ADOBE - 5 LBS.	5/CASE	NONE
200734	CLAY - 1 LB.	30/CASE	NONE
200736	CLAY - 5 LBS.	5/CASE	NONE
200738	BROWN - 1 LB.	30/CASE	NONE
200740	BROWN - 5 LBS.	5/CASE	NONE
200742	COFFEE - 1 LB.	30/CASE	NONE
200744	COFFEE - 5 LBS.	5/CASE	NONE
200746	CHOCOLATE - 1 LB.	30/CASE	NONE
200748	CHOCOLATE - 5 LBS.	5/CASE	NONE
200750	COCOA - 1 LB.	30/CASE	NONE
200752	COCOA - 5 LBS.	5/CASE	NONE
200754	MISSION - 1 LB.	30/CASE	NONE
200756	MISSION - 5 LBS.	5/CASE	NONE
200758	BLACK - 1 LB.	30/CASE	NONE
200760	BLACK - 5 LBS.	5/CASE	NONE
200762	GOLD - 1 LB.	30/CASE	NONE
200764	GOLD - 5 LBS.	5/CASE	NONE
200766	CARBON - 1 LB.	30/CASE	NONE
200768	CARBON - 5 LBS.	5/CASE	NONE



- EASY TO USE PRE-MEASURED PACKS
- EXCELLENT PIGMENT DISPERSION
- SUPERIOR COLOR MATCHING FROM BATCH TO BATCH
- 17 COLORS TO CHOOSE FROM
- SOLD BY CASE ONLY

**17 COLORS TO CHOOSE FROM!**

# MORTAR COLOR

## CONCRETE COLOR BAGS

SKU	DESCRIPTION	QUANTITY	PALLET DEPOSIT
200800	BRICK - 25 LBS.	100/PALLET	NONE
200802	BUFF - 25 LBS.	100/PALLET	NONE
200804	RED - 25 LBS.	100/PALLET	NONE
200806	YELLOW - 25 LBS.	100/PALLET	NONE
200808	CANYON - 25 LBS.	100/PALLET	NONE
200810	GREEN - 25 LBS.	100/PALLET	NONE
200812	TAN - 25 LBS.	100/PALLET	NONE
200814	ADOBE - 25 LBS.	100/PALLET	NONE
200816	CLAY - 25 LBS.	100/PALLET	NONE
200818	BROWN - 25 LBS.	100/PALLET	NONE
200820	COFFEE - 25 LBS.	100/PALLET	NONE
200822	CHOCOLATE - 25 LBS.	100/PALLET	NONE
200824	COCOA - 25 LBS.	100/PALLET	NONE
200826	MISSION - 25 LBS.	100/PALLET	NONE
200828	BLACK - 25 LBS.	100/PALLET	NONE
200830	GOLD - 25 LBS.	100/PALLET	NONE
200832	CARBON - 25 LBS.	100/PALLET	NONE



## CONCRETE AND MORTAR COLOR

THE WEIGHT NEXT TO EACH COLOR REPRESENTS THE AMOUNT OF PIGMENT MIXED WITH EACH 94 LB. BAG OF GRAY CEMENT.

BRICK 1 LB.		BRICK 5 LB.		BROWN 1 LB.		BROWN 5 LB.	
BUFF 1 LB.		BUFF 5 LB.		COFFEE 1 LB.		COFFEE 5 LB.	
RED 1 LB.		RED 5 LB.		CHOCOLATE 1 LB.		CHOCOLATE 5 LB.	
YELLOW 1 LB.		YELLOW 5 LB.		COCOA 1 LB.		COCOA 5 LB.	
CANYON 1 LB.		CANYON 5 LB.		MISSION 1 LB.		MISSION 5 LB.	
GREEN 1 LB.		GREEN 5 LB.		BLACK 1 LB.		BLACK 5 LB.	
TAN 1 LB.		TAN 5 LB.		GOLD 1 LB.		GOLD 5 LB.	
ADOBE 1 LB.		ADOBE 5 LB.		CARBON* 1 LB.		CARBON* 5 LB.	
CLAY 1 LB.		CLAY 5 LB.					

BEST BUILD COLOR	SIMILAR TO DAVIS #
BRICK	160
BUFF	5447
RED	1117
YELLOW	569
CANYON	5084
GREEN	5370
TAN	51127
ADOBE	51126
CLAY	641
BROWN	677
COFFEE	6059
CHOCOLATE	6058
COCOA	6069
MISSION	61205
BLACK	860
GOLD	5237
CARBON	807

Colors shown are as accurate as possible using available methods. The color of the final product is subject to some variation due to differences in materials and workmanship. Always test the pigments with your materials before beginning work to ensure the desired color is achieved.

**ORDER NOW! 1-800-325-6851**

# ACCESSORIES



## LIQUID NAILS REPAIR MATERIAL

SKU	DESCRIPTION	QUANTITY	PALLET DEPOSIT
160616	CONCRETE AND MORTAR REPAIR - 10.3 OZ.	12 TUBES/CASE	NONE

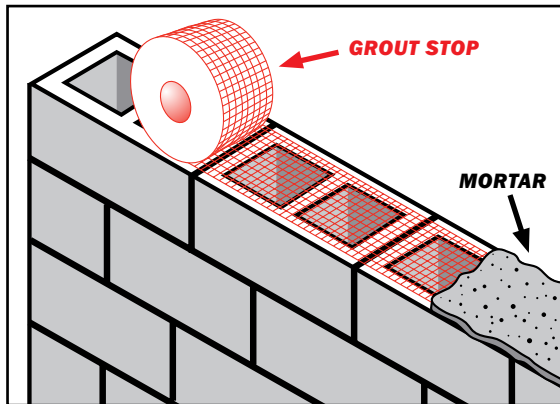
- **PROVEN, HIGH-QUALITY CONSTRUCTION ADHESIVE**
- **STRONG DURABLE BOND**
- **FILLS CRACKS AND VOIDS**



## GROUT STOP

SKU	DESCRIPTION	QUANTITY	PALLET DEPOSIT
100393	GROUT STOP - 4" x 100'	48/CASE	NONE
100396	GROUT STOP - 6" x 100'	32/CASE	NONE

- **PREVENTS GROUT FROM FALLING THROUGH BLOCK CORE WHILE MAINTAINING POSITIVE BOND IN MORTAR JOINT**
- **MADE OF STRONG, NON-CORROSIVE 1/4" SQUARE POLYPROPYLENE MONOFILAMENT MESH**
- **AVAILABLE IN 4" AND 6" WIDTHS**



**EASY TO USE! JUST ROLL GROUT STOP OVER THE TOP OF THE BLOCKS AND THEN APPLY MORTAR. GROUT STOP WILL PREVENT THE MORTAR AND GROUT FROM FALLING THROUGH THE HOLLOW BLOCK CORE.**



## YELLOW JACKET

SKU	DESCRIPTION	QUANTITY	PALLET DEPOSIT
100403	YELLOW JACKET - 4" x 150'	18/CASE	NONE
100406	YELLOW JACKET - 6" x 150'	12/CASE	NONE
100409	YELLOW JACKET - 36" x 150'	6/CASE	NONE

- **GENERAL-PURPOSE REINFORCING MESH**
- **USED FOR REINFORCING FOAM SHAPES, ROOFING AND MASONRY**

# ACCESSORIES

## BRICK TIES

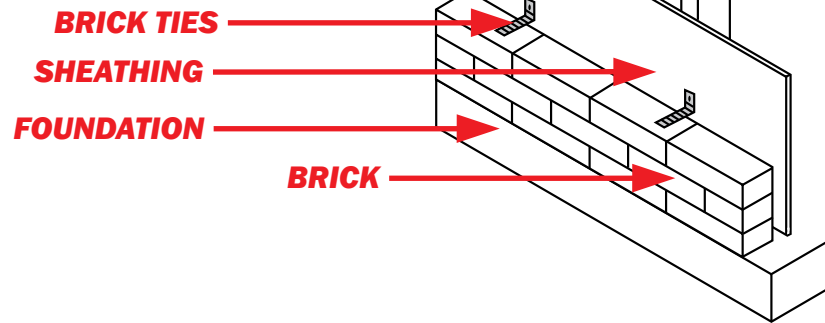
SKU	DESCRIPTION	QUANTITY	PALLET DEPOSIT
100433	22 GA. BRICK TIES - 6"	500/CASE	NONE
100436	28 GA. BRICK TIES - 6"	500/CASE	NONE

- HELPS PREVENT DAMAGE TO BRICKWORK BY TYING IT TO THE WOOD FRAME OF THE BUILDING
- TYPICALLY INSTALLED EVERY 5 OR 6 BRICK COURSES
- GALVANIZED - WILL NOT RUST OR CORRODE!



## BRICK TIE INSTALLATION

BRICK TIES ARE NAILED TO THE WOOD FRAME OF THE BUILDING AND THEN BENT OUTWARD TO BE EMBEDDED IN THE MORTAR BETWEEN BRICK COURSES. TYPICALLY BRICK TIES ARE INSTALLED EVERY 5 OR 6 COURSES.



# ACCESSORIES

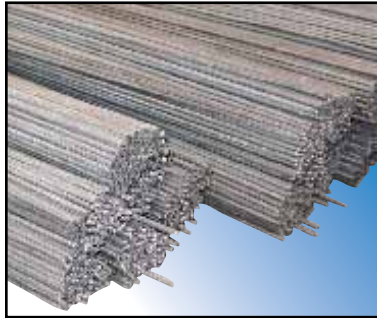
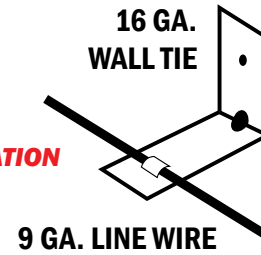
## SEISMIC WALL TIES



SKU	DESCRIPTION	QUANTITY	PALLET DEPOSIT
100438	16 GA. SEISMIC WALL TIE	500 PCS./CASE	NONE

- A CONNECTOR FOR MASONRY-VENEER, PANELS, OR CURTAIN-WALL CLADDINGS
- USUALLY USED WITH 9 GA. WIRE

### TYPICAL INSTALLATION



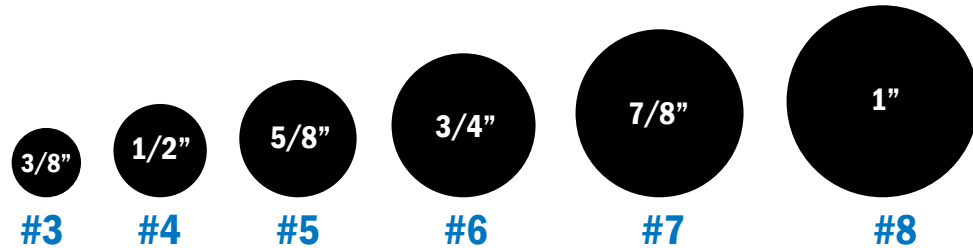
## PENCIL ROD

SKU	SIZE	LENGTH	QUANTITY	PALLET DEPOSIT
050206	#2	20 FT.	600 PCS./ BNDL.	NONE
050204	#2	10 FT.	600 PCS./BNDL.	NONE

- PENCIL ROD IS OFTEN USED BY FABRICATORS TO TIE UP BUNDLES OF REBAR
- GOOD AS A MASONRY OR PRECAST REINFORCEMENT

# REBAR

## REBAR SIZES

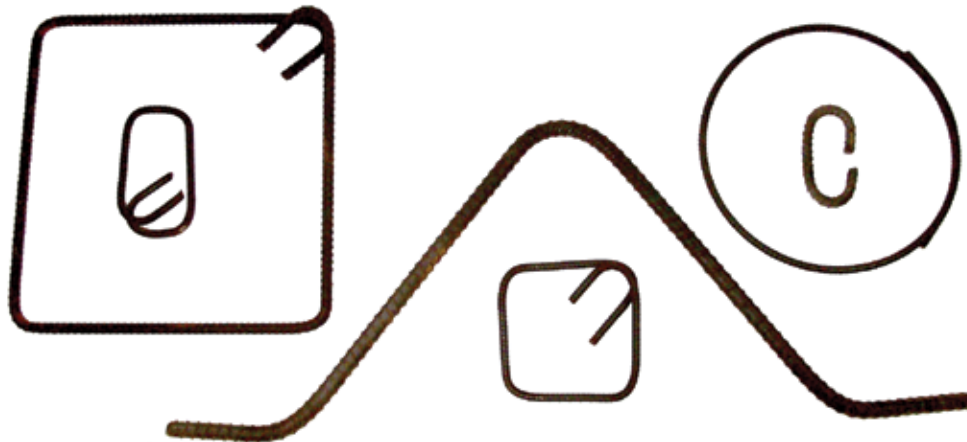


## REBAR GRADES

The Grade of rebar is a measurement of the bar's tensile strength or resistance to flexing. The higher the bar's grade, the less flexibility the bar has.

REBAR GRADE	CHARACTERISTICS
40 Grade	Flexible - Used when rebar needs to be bent into custom shapes.
60 Grade	Strong - Used when high strength is preferred over flexibility.

### WE DO CUSTOM REBAR FABRICATION!



ANGLES • HAIR PINS • SQUARES • CIRCLES • AND MORE!

# CALL FOR A QUOTE!

ORDER NOW! 1-800-325-6851

# REBAR

## CUT REBAR



SKU	SIZE	LENGTH	QUANTITY	PALLET DEPOSIT
050312	#3	12"	10 PCS./ BNDL.	NONE
050315	#3	18"	10 PCS./BNDL.	NONE
050318	#3	24"	10 PCS./ BNDL.	NONE
050321	#3	30"	10 PCS./BNDL.	NONE
050324	#3	36"	10 PCS./ BNDL.	NONE
050330	#3	48"	10 PCS./ BNDL.	NONE
050342	#3	72"	10 PCS./BNDL.	NONE
050357	#3	120"	10 PCS./ BNDL.	NONE
050360	#4	12"	10 PCS./BNDL.	NONE
050363	#4	18"	10 PCS./ BNDL.	NONE
050366	#4	24"	10 PCS./BNDL.	NONE
050369	#4	30"	10 PCS./ BNDL.	NONE
050372	#4	36"	10 PCS./BNDL.	NONE
050378	#4	48"	10 PCS./BNDL.	NONE
050384	#4	60"	10 PCS./BNDL.	NONE
050390	#4	72"	10 PCS./BNDL.	NONE
050409	#4	120"	10 PCS./ BNDL.	NONE
050412	#5	12"	10 PCS./BNDL.	NONE
050415	#5	18"	10 PCS./BNDL.	NONE
050418	#5	24"	10 PCS./ BNDL.	NONE
050421	#5	30"	10 PCS./BNDL.	NONE
050424	#5	36"	10 PCS./ BNDL.	NONE
050457	#5	120"	10 PCS./BNDL.	NONE

**WE WILL CUT REBAR TO ANY LENGTH.  
CALL FOR A QUOTE!**

# REBAR

## REBAR – 20' LENGTHS

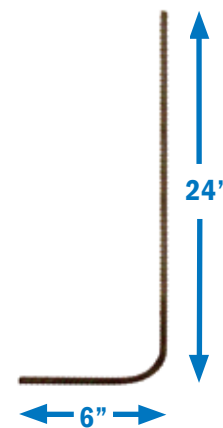
SKU	SIZE	GRADE	LENGTH	QUANTITY	PALLET DEPOSIT
050212	#3	40	20 FT.	266 PCS./ BNDL.	NONE
050218	#3	60	20 FT.	266 PCS./BNDL.	NONE
050224	#4	40	20 FT.	152 PCS./ BNDL.	NONE
050236	#4	60	20 FT.	152 PCS./BNDL.	NONE
050248	#5	40	20 FT.	96 PCS./ BNDL.	NONE
050260	#5	60	20 FT.	96 PCS./BNDL.	NONE

FOR A COMPLETE LIST OF REBAR WE CARRY SEE THE **CONCRETE REINFORCING** SECTION.



## 90° BENT REBAR

SKU	SIZE	LENGTH	QUANTITY	PALLET DEPOSIT
050533	#4	6" x 24"	10	NONE



## TIE WIRE

SKU	DESCRIPTION	CASE QUANTITY	PALLET QUANTITY	PALLET DEPOSIT
070842	TIE WIRE	20 ROLLS/CASE	24 CASES/PALLET	NONE

• **USED TO TIE REBAR**

**BEST BUILD**



## TIE WIRE REELS

SKU	DESCRIPTION	QUANTITY	PALLET DEPOSIT
621162	PLASTIC TIE WIRE REEL	12 REELS/CASE	NONE
621166	CAST ALUMINUM TIE WIRE REEL	12 REELS/CASE	NONE

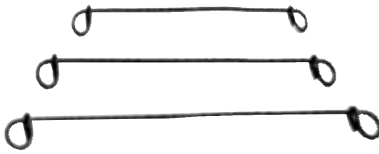
• **A CONVENIENT TOOL FOR STORING AND DISPENSING WIRE IN THE FIELD**  
 • **STURDY DISPENSER HAS 2 BELT LOOPS**



**ORDER NOW! 1-800-325-6851**

# ACCESSORIES

## BAR TIES



SKU	DESCRIPTION	QUANTITY	PALLET DEPOSIT
070847	4" BAR TIES	5/1000-PIECE BUNDLES PER BAG	NONE
070847.5	5" BAR TIES	5/1000-PIECE BUNDLES PER BAG	NONE
070848	6" BAR TIES	5/1000-PIECE BUNDLES PER BAG	NONE
070849	8" BAR TIES	5/1000-PIECE BUNDLES PER BAG	NONE

• USED TO TIE REBAR

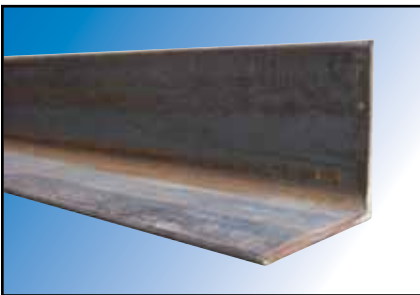


## MANUAL BAR TIE TOOL

SKU	DESCRIPTION	QUANTITY	PALLET DEPOSIT
621150	MANUAL BAR TIE TOOL	12 PCS./CASE	NONE

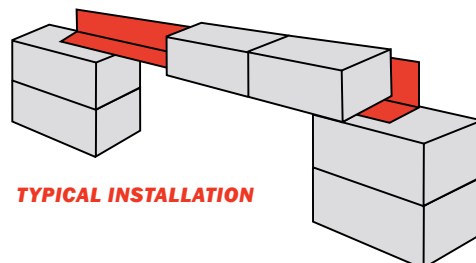
- SAFELY AND EASILY TWISTS WIRE AND BAR TIES
- STEEL HOOK
- WOOD HANDLE

## ANGLE IRON



SKU	DESCRIPTION	PALLET DEPOSIT
190451	3" x 3" x 3/16" ANGLE IRON - 24"	NONE
190454	3" x 3" x 3/16" ANGLE IRON - 30"	NONE
190457	3" x 3" x 3/16" ANGLE IRON - 36"	NONE
190460	3" x 3" x 3/16" ANGLE IRON - 42"	NONE
190463	3" x 3" x 3/16" ANGLE IRON - 48"	NONE
190466	3" x 3" x 3/16" ANGLE IRON - 54"	NONE
190469	3" x 3" x 3/16" ANGLE IRON - 60"	NONE
190472	3" x 3" x 3/16" ANGLE IRON - 66"	NONE
190475	3" x 3" x 3/16" ANGLE IRON - 72"	NONE
190481	3" x 3" x 3/16" ANGLE IRON - 20' LENGTH	NONE
190484	4" x 3" x 1/4" ANGLE IRON - 36"	NONE
190487X	4" x 3" x 1/4" ANGLE IRON - 42"	NONE
190490	4" x 3" x 1/4" ANGLE IRON - 48"	NONE
190512	4" x 3" x 1/4" ANGLE IRON - 20' LENGTH	NONE

**ANGLE IRON IS USED TO SUPPORT BRICKS OVER VOIDS OR OPEN AREAS.**

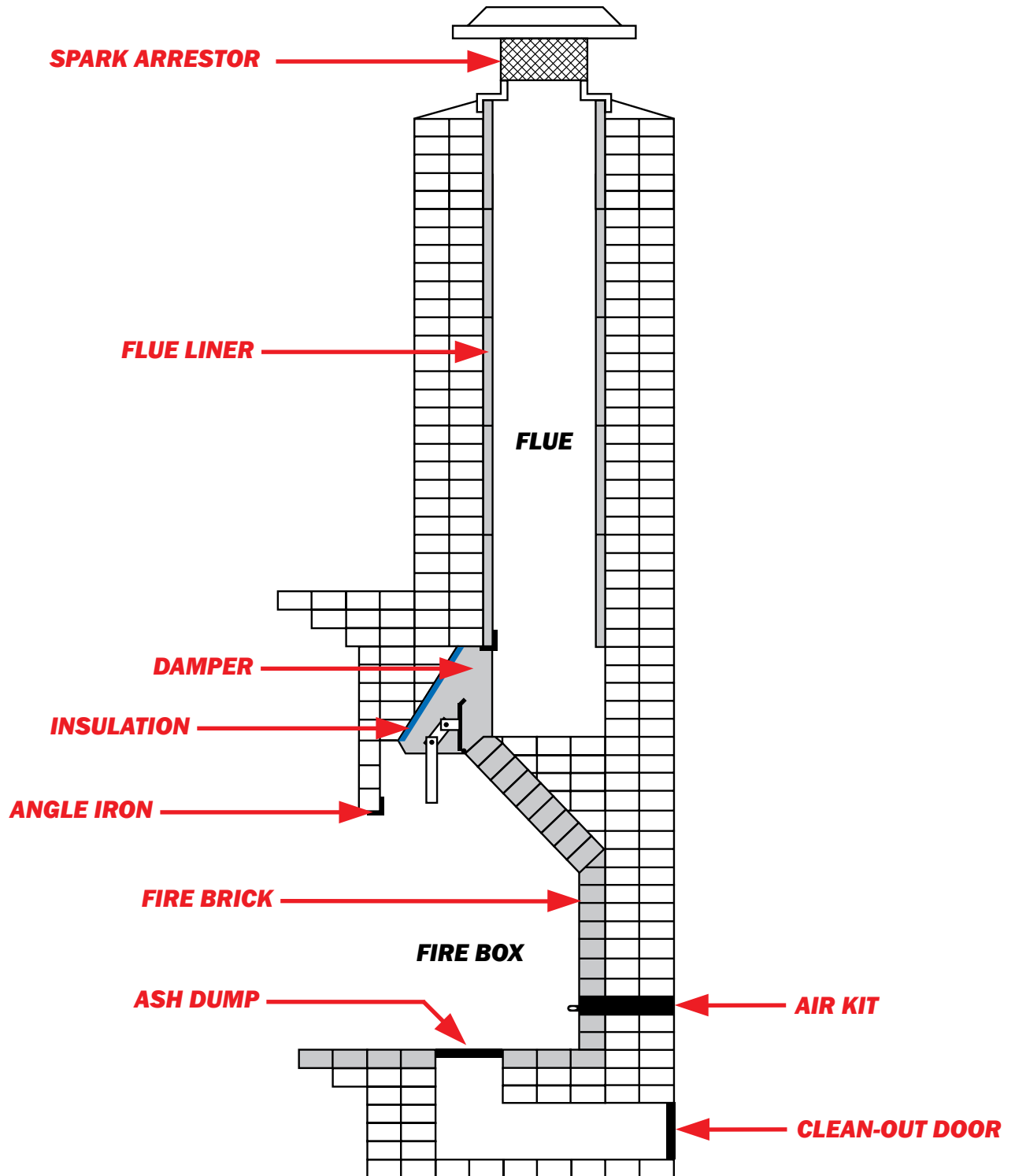


TYPICAL INSTALLATION

**WE CAN CUT ANGLE IRON TO ANY SIZE FOR A SMALL FEE.**

# CHIMNEY PRODUCTS

## CHIMNEY CONSTRUCTION



**ORDER NOW! 1-800-325-6851**

M15

# CHIMNEY PRODUCTS



## FLAT SPARK ARRESTOR

SKU	DESCRIPTION	PALLET DEPOSIT
190393	#1505 FLAT SPARK ARRESTOR 10" x 17"	NONE
190406	#1511 FLAT SPARK ARRESTOR 13" x 17"	NONE
190409	#1513 FLAT SPARK ARRESTOR 13" x 21"	NONE
190412	#1517 FLAT SPARK ARRESTOR 17" x 21"	NONE

- PREVENTS SPARKS AND EMBERS FROM ESCAPING OUT THE TOP OF A CHIMNEY



## BOX SPARK ARRESTOR

SKU	DESCRIPTION	PALLET DEPOSIT
190421	#1541 BOX SPARK ARRESTOR 13" x 17"	NONE
190424	#1542 BOX SPARK ARRESTOR 17" x 21"	NONE

- PREVENTS SPARKS AND EMBERS FROM ESCAPING OUT THE TOP OF A CHIMNEY
- SOLID TOP PREVENTS RAIN FROM GOING INTO CHIMNEY FLUE



## FORM DAMPERS

SKU	DESCRIPTION	WIDTH	PALLET DEPOSIT
190348	#1230 FORM DAMPER	27" - 32"	NONE
190354	#1236 FORM DAMPER	33" - 38"	NONE
190360	#1242 FORM DAMPER	39" - 43"	NONE
190366	#1248 FORM DAMPER	44" - 51"	NONE
190372	#1254 FORM DAMPER	52" - 57"	NONE
190378	#1260 FORM DAMPER	58" - 64"	NONE
190384	#1272 FORM DAMPER	65" - 74"	NONE

- HEAVY DUTY STEEL CONSTRUCTION
- DAMPER ALLOWS SMOKE FROM THE FIREBOX TO VENT OUT CHIMNEY FLUE
- ADJUSTABLE FLAP THAT CAN BE CLOSED WHEN FIREPLACE IS NOT IN USE
- COMES WITH INSULATION TO BE INSTALLED BETWEEN DAMPER AND MASONRY TO PREVENT THE MASONRY FROM CRACKING



## ASH DUMP

SKU	DESCRIPTION	PALLET DEPOSIT
190433	#1604 ASH DUMP 4.5" x 9"	NONE

- STEEL DOOR THAT IS MOUNTED FLUSH WITH BOTTOM OF FIREBOX
- MAKES ASH CLEAN-OUT EASY
- SWEEP ASH INTO DUMP DOOR AND ASH FALLS INTO ASH PIT WHERE IT CAN BE REMOVED FROM THE OUTSIDE OF THE HOME

# CHIMNEY PRODUCTS

## CLEAN OUT DOOR

SKU	DESCRIPTION	PALLET DEPOSIT
190436	#8216 CLEAN OUT DOOR 8" x 8"	NONE
190439	#8218 CLEAN OUT DOOR 8" x 10"	NONE

- BUILT INTO MASONRY FIREPLACE TO ALLOW ASH CLEAN-UP



## CHIMNEY STRAP

SKU	DESCRIPTION	PALLET DEPOSIT
190442	#1404 CHIMNEY STRAP - 4'	NONE
190445	#1406 CHIMNEY STRAP - 6'	NONE

- HELPS PREVENT DAMAGE TO THE BRICK WORK DURING SEISMIC ACTIVITY
- ANCHORS MASONRY CHIMNEY TO BUILDING FRAMEWORK
- MADE OF 1-7/32" X 3/16" GALVANIZED STEEL



## AIR KITS

SKU	DESCRIPTION	PALLET DEPOSIT
190446	#1084 AIR KIT - 2" x 4" x 8"	NONE
190448X	#1085 AIR KIT - 4" x 4" x 8"	NONE

- HEAVY DUTY STEEL CONSTRUCTION
- BUILT INTO EXTERNAL WALL OF MASONRY FIREPLACE TO HELP CONTROL AMOUNT OF AIR FLOW INTO CHIMNEY
- PULL TAB AND TWO SLIDE RAILS MAKES ADJUSTING AIR FLOW EASY



## CABLE CLAMPS

SKU	DESCRIPTION	QUANTITY	PALLET DEPOSIT
064001	1/2" CABLE CLAMP	100/CARTON	NONE
064003	5/8" CABLE CLAMP	50/CARTON	NONE



# CHIMNEY PRODUCTS

**CLAY FLUE LINERS MOVES SMOKE AND GASSES SAFELY AND EFFICIENTLY FROM A HOME'S FIREPLACE. FLUE LINERS USE THE INSIDE DIAMETERS FOR THE SIZE DESIGNATION. OUR FLUE LINERS ARE ROUND TO PROVIDE A MORE UNIFORM DRAW BY ELIMINATING THE COLD OUTSIDE CORNERS.**



## CLAY FLUE LINERS

SKU	DESCRIPTION	QUANTITY	PALLET DEPOSIT
130206	8" x 17" x 1' CLAY FLUE LINER	48 PCS./PALLET	\$10.00
130209	10" x 17" x 1' CLAY FLUE LINER	40 PCS./PALLET	\$10.00
130212	12.75" x 1' CLAY FLUE LINER - ROUND	48 PCS./PALLET	\$10.00
130218	13" x 17" x 1' CLAY FLUE LINER	40 PCS./PALLET	\$10.00
130224	13" x 21" x 1' CLAY FLUE LINER	32 PCS./PALLET	\$10.00
130227	17" x 17" x 1' CLAY FLUE LINER	24 PCS./PALLET	\$10.00
130230	17" x 21" x 1' CLAY FLUE LINER	24 PCS./PALLET	\$10.00
130233	21" x 21" x 1' CLAY FLUE LINER	16 PCS./PALLET	\$10.00

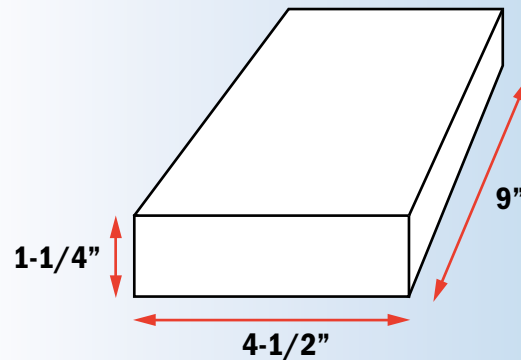
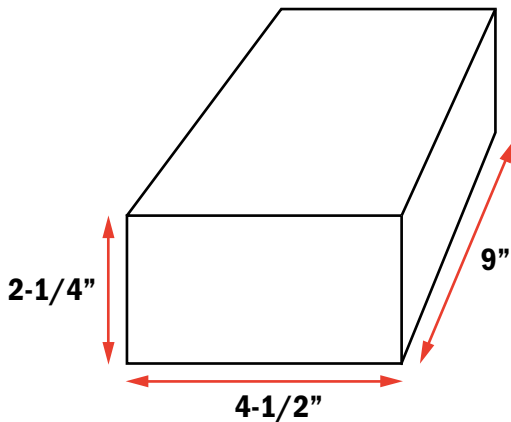


## PACIFIC FIREBRICK

SKU	DESCRIPTION	QUANTITY	PALLET DEPOSIT
130260	REGULAR FIREBRICK	336 PCS./PALLET	\$13.50
130263	SPLIT FIREBRICK	648 PCS./PALLET	\$13.50



- FIRE BRICKS ARE HARD AND DURABLE
- LONG LASTING, LOW MAINTENANCE BRICKS
- USED IN THE FIREBOX OF CHIMNEYS
- ALSO SUITABLE FOR SIDEWALKS, STREETS, PATIOS, AND POOL DECKS
- LIGHT TAN COLOR



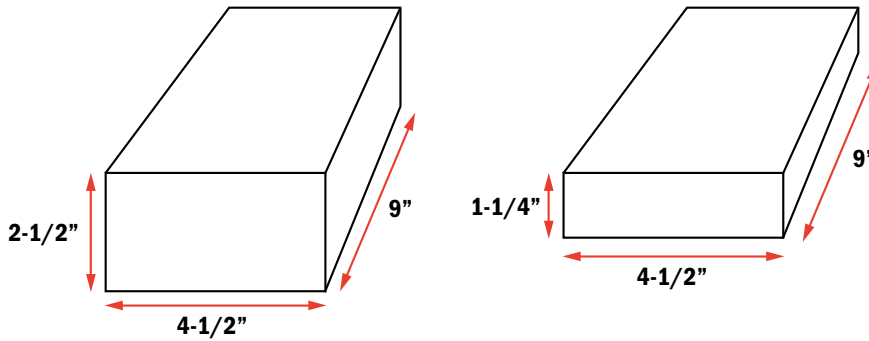
# BRICKS

## MUDDOX FIREBRICK



SKU	DESCRIPTION	QUANTITY	PALLET DEPOSIT
130266	REGULAR FIREBRICK	332 PCS./PALLET	\$10.00
130269	SPLIT FIREBRICK	664 PCS./PALLET	\$10.00

- FIRE BRICKS ARE HARD AND DURABLE
- LONG LASTING, LOW MAINTENANCE BRICKS
- USED IN THE FIREBOX OF CHIMNEYS
- ALSO SUITABLE FOR SIDEWALKS, STREETS, PATIOS, AND POOL DECKS
- YELLOW IN COLOR
- MEETS ASTM C-1261

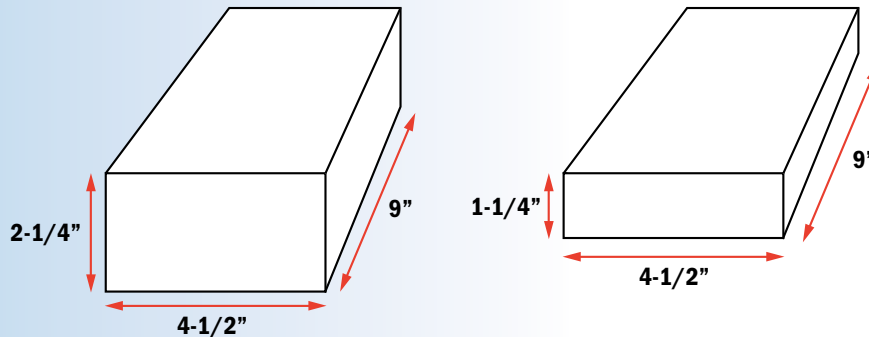


## BUFF FIREBRICK



SKU	DESCRIPTION	QUANTITY	PALLET DEPOSIT
130601	REGULAR FIREBRICK	500 PCS./PALLET	NONE
130604	SPLIT FIREBRICK	850 PCS./PALLET	NONE

- FIRE BRICKS ARE HARD AND DURABLE
- LONG LASTING, LOW MAINTENANCE BRICKS
- USED IN THE FIREBOX OF CHIMNEYS
- ALSO SUITABLE FOR SIDEWALKS, STREETS, PATIOS, AND POOL DECKS
- RUST IN COLOR



**ORDER NOW! 1-800-325-6851**

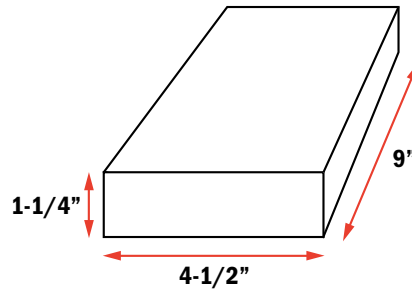
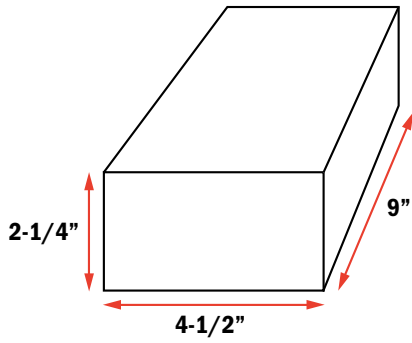
# BRICKS

## RED FIREBRICK



SKU	DESCRIPTION	QUANTITY	PALLET DEPOSIT
130607	REGULAR FIREBRICK	500 PCS./PALLET	NONE
130610	SPLIT FIREBRICK	850 PCS./PALLET	NONE

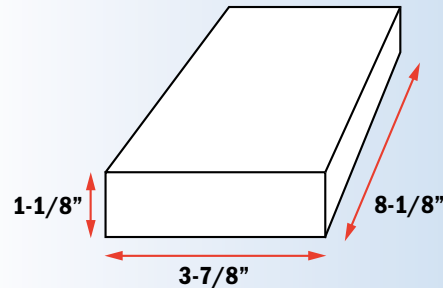
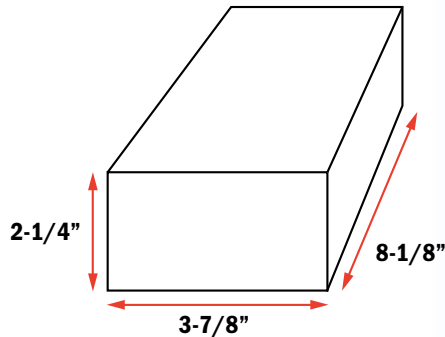
- FIRE BRICKS ARE HARD AND DURABLE
- LONG LASTING, LOW MAINTENANCE BRICKS
- USED IN THE FIREBOX OF CHIMNEYS
- ALSO SUITABLE FOR SIDEWALKS, STREETS, PATIOS, AND POOL DECKS
- RED IN COLOR



## RED BRICK

SKU	DESCRIPTION	QUANTITY	PALLET DEPOSIT
130384	STANDARD BRICK	510 PCS./PALLET	\$13.50
130360	SPLIT BRICK	1020 PCS./PALLET	\$13.50

- STANDARD CLAY BRICK
- IDEAL FOR SIDEWALKS, STREETS, PATIOS, AND POOL DECKS
- RED IN COLOR

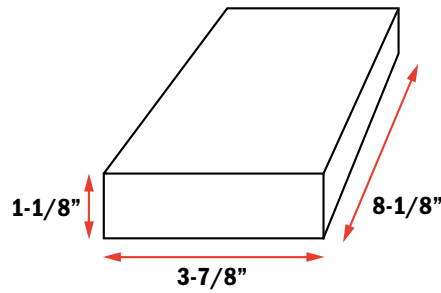
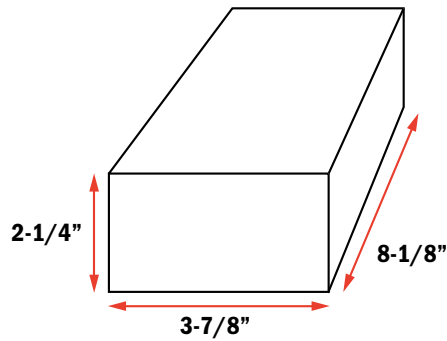


# BRICKS

## TYPIC BRICK

SKU	DESCRIPTION	QUANTITY	PALLET DEPOSIT
130387	STANDARD BRICK	595 PCS./PALLET	\$13.50
130363	SPLIT BRICK	1020 PCS./PALLET	\$13.50

- **STANDARD CLAY BRICK**
- **IDEAL FOR SIDEWALKS, STREETS, PATIOS, AND POOL DECKS**
- **RED IN COLOR**



**ORDER NOW! 1-800-325-6851**

